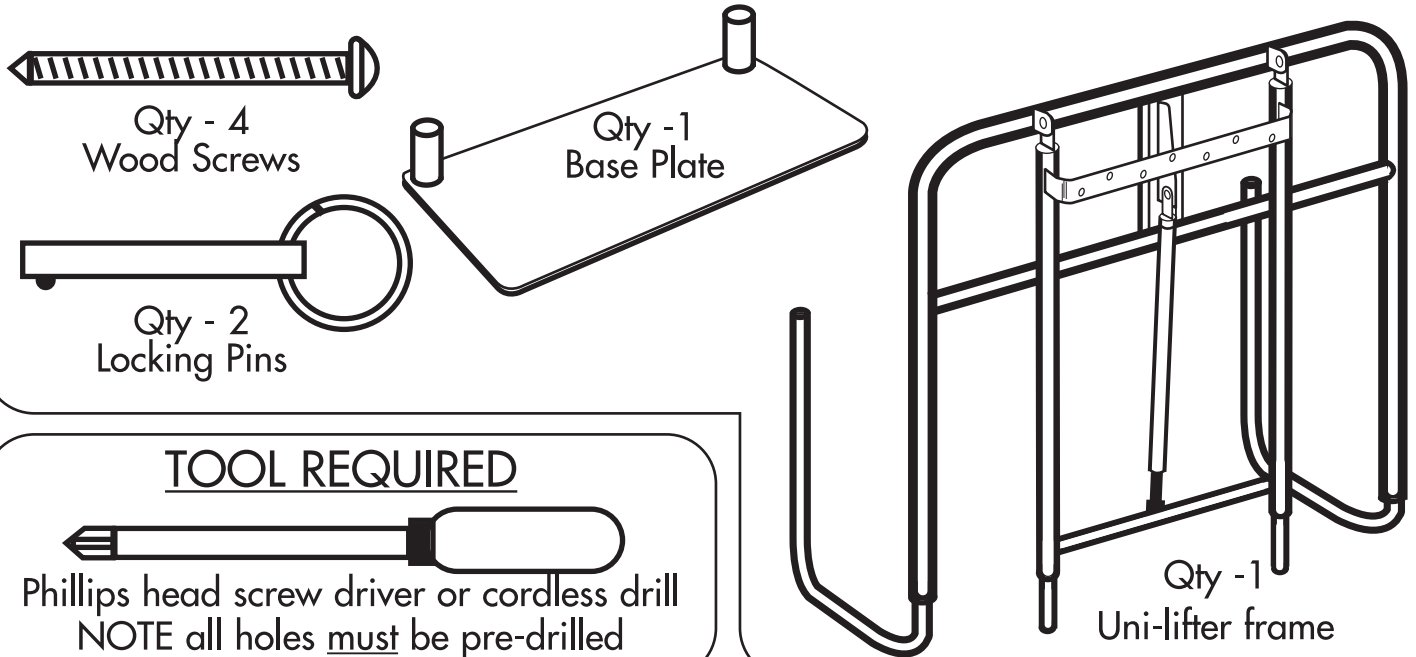


Australian Spa Covers

There is no better...

Uni-Lifter Assembly Instructions

COMPONENT LIST - visual drawings and component quantities

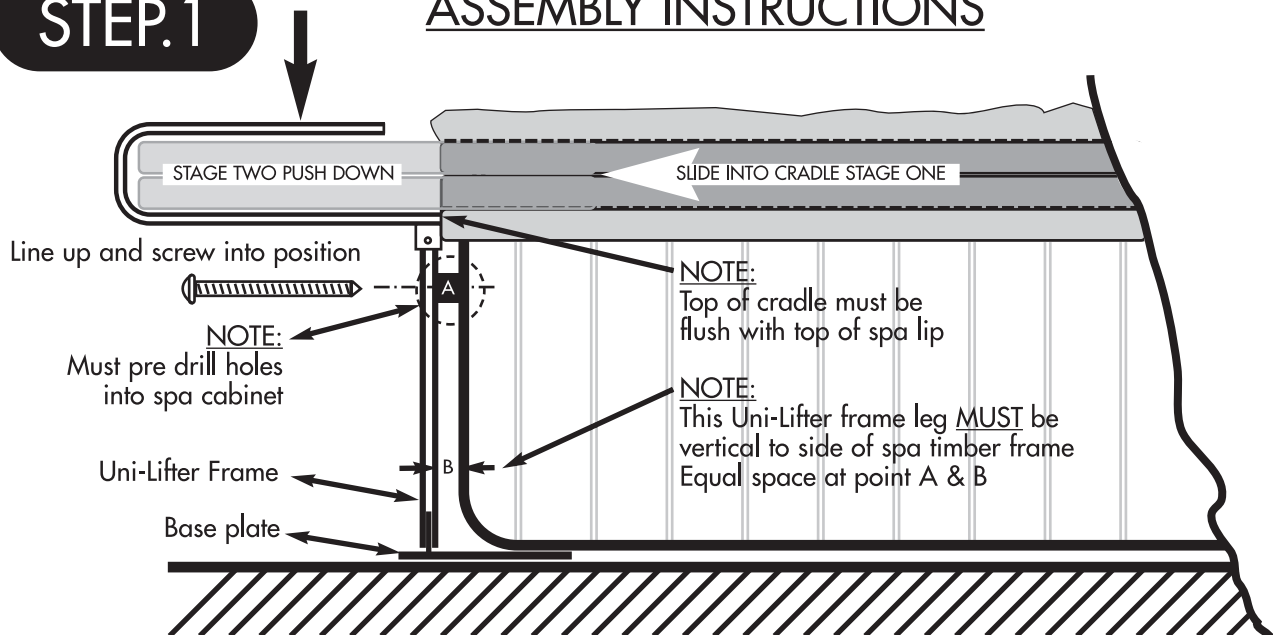


TOOL REQUIRED

Phillips head screw driver or cordless drill
NOTE all holes must be pre-drilled

STEP.1

ASSEMBLY INSTRUCTIONS



Slide base plate into to position under spa base and slide Uni-Lifter frame into base plate then fix to cabinet with screws...

Ph +61 3 9262 6900

www.austspacovers.com.au

4 SIMPLE OPERATING STEPS

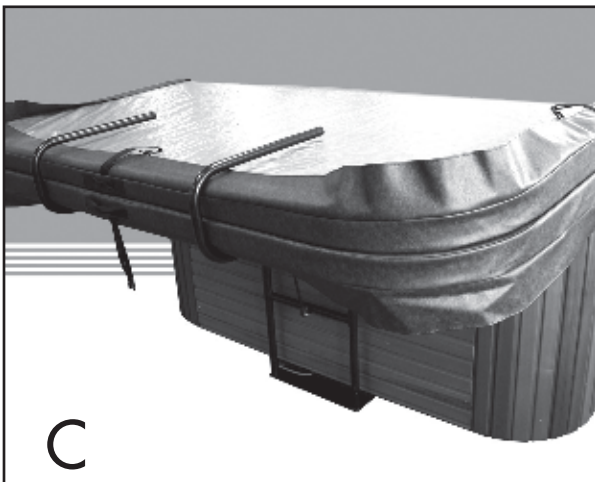


A

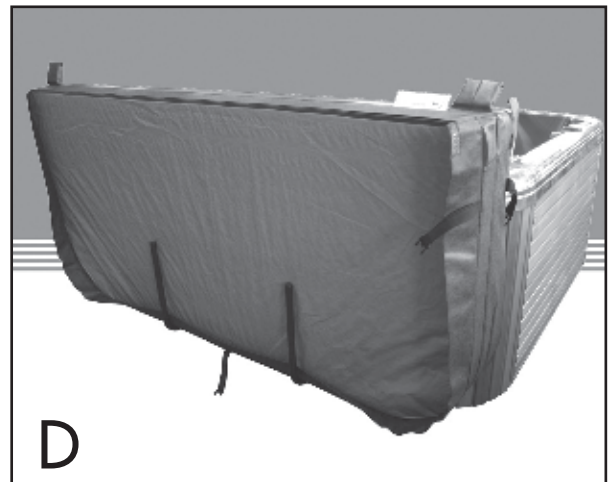
WARNING ensure all lock down straps have been released from the clip locks on the spa cabinet, decking or paving prior to attempting to remove the spa cover.



B



C



D

To operate lift and fold spa cover in half back on its self, then slide folded cover into cradle as shown in step 1 and push cover and cradle down into its storage position.

Ph +61 3 9262 6900

www.austspacovers.com.au

13 Summer Lane Ringwood Victoria Australia 3134 >> ph +61 3 9262 6900 >> fax +61 3 9872 6033